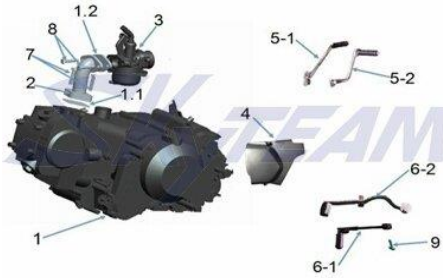




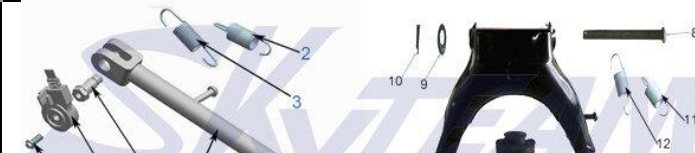
No.	Part number	Part name(ENGLISH)	QTY. on each bike	REMARK
-----	-------------	--------------------	-------------------	--------

发动机部分: ENGINE


1	11000-14A00	50cc Engine	1	ST50-6/6B
	11000-17H00	125cc Engine	1	ST125-6/6B
	11000-17H20			ST125-6A
1.1	11013-Z1000	Paper Gasket	1	50cc
	11013-18H00		1	125cc
1.2	11012-Z1000	Gasket	1	50cc
	11012-18H00		1	125cc
2	11011-14A10	Intake Manifold	1	50cc
	11011-16H10		1	ST125-6/6B
	11011-16H20		1	ST125-6A
3	16100-Z1010	Carburetor	1	50cc
	16100-18H00		1	125cc
4	11001-14A00	Left Side Cover, Engine	1	Silver
	11001-14A00-000		1	BLACK
	11001-14A00-ODG		1	Chrome
5-1	26300-14A00	Kick Starter	1	ST50/125-6/6B
5-2	26300-13C00		1	ST125-6A
6-1	25600-18H00	Shift Pedal Assy	1	foldable
6-2	25600-14A10		1	seesaw type
7	81115-Y1000	Bolt	2	
8	GB/T 5783 M6X25-Zn.DJ	Bolt	2	50cc
	GB/T 5783 M6X30-Zn.DJ	Bolt	2	125cc
9	GB/T70.1 M6X20-Zn.DJ	Bolt	2	

车架: FRAME

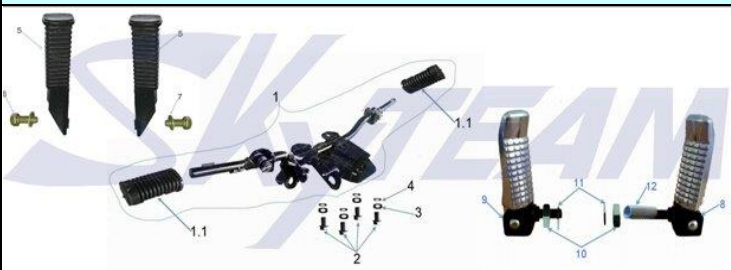

	41100-14A10	Frame	1	
3	09112-14A00	Bolt	1	
	09112-14A10		1	
4	GB/T 6187.1 M8-Zn.DJ	Flange Nut	2	
5	41211-14A00	Decoration Strip	1	
6	41212-14A00	Clip, Decoration Strip	3	

单撑、双撑 SIDE STAND&CENTER STAND




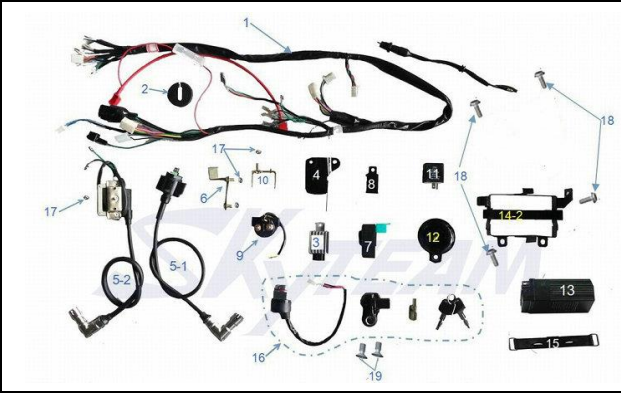
1	42310-14A10	Side Stand	1	ST50/125-6/6A
	42310-17H00		1	ST50/125-6B
2	42312-Z1000	Outer Spring, Side Stand	1	
3	42321-Z1000	Inner Spring, Side Stand	1	
4	42311-23H00	Bolt, Side Stand	1	
5	42313-Y1000	Switch, Side Stand	1	
6	42315-Y1000	Bolt, Side Stand Switch	1	
7	42100-14A10	Center Stand	1	
8	42211-14A00	Shaft, Center Stand	1	
9	GB/T 97.1 16-Zn.DJ	Washer	1	
10	GB/T 91 3.2X25-Zn.DJ	Cotter Pin	1	
11	42312-Z1000	Outer Spring, Side Stand (used for center stand)	1	
12	42232-14A00	Inner Spring	1	
13	42222-14A00	Cushion, Stand Center	1	

前后搁脚部分: FRONT FOOTREST&REAR FOOTREST



1	43510-14A10	Front Footrest Assy	1	
1.1	43511-Z1000	Rubber, Front Footrest	2	
2	GB/T 5783 M8X20-Zn.DJ	Bolt	4	
3	GB/T 97.1 8-Zn.DJ	Washer	4	
4	GB/T 93 8-Zn.DJ	Spring Washer	4	
5	43620-14A00	Rear Footrest, Left	2	ST50/125 -6/6A (Iron)
6	GB/T 5786 M10X1.25X20-Zn.DJ	Bolt	2	
7	GB/T 97.1 10-Zn.DJ	Spring Washer	2	
8	43620-Y1000	Rear Footrest, Left	1	ST50/125-6B (Aluminum)
9	43720-17H00	Rear Footrest, Right	1	
10	GB/T 6170 M8-Zn.DJ	Nut	2	
11	GB/T 97.1 8-Zn.DJ	Spring Washer	2	
12	61275-14A10	Rubber, Pillion Footrest	1	

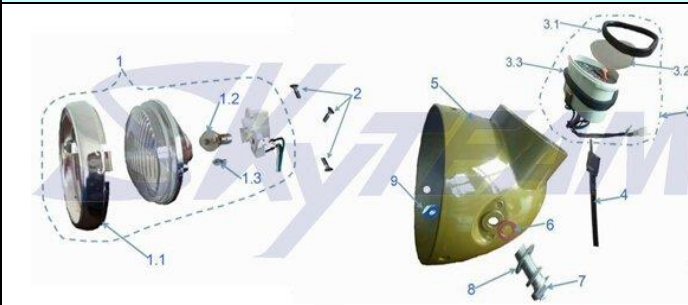
电器部分: ELECTRICAL COMPONENTS



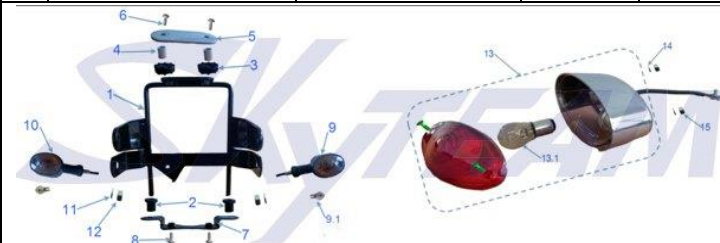
1	36610-17H01	Wire Harness	1	
2	36621-15A00	Wire Harness cushion ring	1	
3	32800-Z1000	Rectifier Assy	1	
4	32820-14A10	Bracket, Rectifier	1	
5-2	33400-17H00	Ignition Coil	1	
7	32900-16H00	CDI Unit	1	
8	32911-14A00	bracket, CDI	1	
9	31800-Y1000	Start Relay	1	
10	31810-14A00	Bracket, Start Relay	1	

11	38620-Y1001	Flash Relay	1	
12	38500-14A00	Horn Assy	1	
13	33610-15A00	Battery 12V3AH	1	ST50/125-6/6A
	33610-17H00		1	ST50/125-6B
14-1	41510-17H10	Holder, Battery	1	
15	41522-14A10	Band, Battery	1	
16	37000-14A00	Lock Assy	1	
17	GB/T 6187.1 M6-Zn.DJ	Flange Nut	2	
18	GB/T 16674 M6X12-Zn.DJ	Flange Bolt	5	
19	GB 819.1 M6X12-Zn.DJ	Screw	2	

仪表和灯具 :SPEEDOMETER & LAMPS

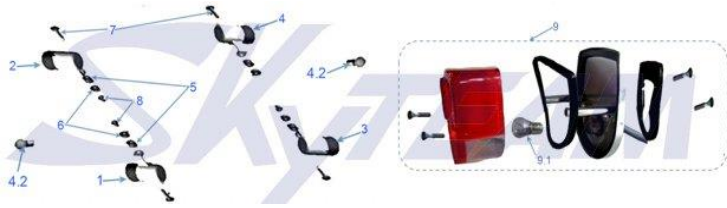


1	35100-14A00	Headlamp Assy	1	
1.1	35112-14A00	Ring, Headlamp Lens	1	Chrome, cannot supply separately
1.2	35107-Y1000	Bulb, Headlamp	1	Philips
1.3	35106-Y1000	Bulb, position	1	
2	GB/T 820 M5X16-Zn.DJ	Screw	3	
3	34100-14A00	Speedometer Assy (70km/h)	1	50cc
	34100-14G00	Speedometer Assy (140km/h)	1	125cc
3.1	34112-14G00	Plastic Ring, Speedometer	1	
3.2	34113-14G00	Faceplate, Speedometer	1	cannot supply separately
3.3	34115-14G00	Faceplate,	1	cannot supply separately
4	58200-14A00	Cable, Speedometer	1	
5	35121-14A00	Housing, Headlamp (color)	1	
6	35122-14A00	Cushion	2	
7	GB/T 16674 M8X25-A2-70-304	Flange Bolt	2	304 Stainless steel
8	GB/T 93 8-Zn.DJ	Washer	2	
9	GB/T 6170 M8-Zn.DJ-S14	Nut	2	



1	46710-14A00	Bracket, Head Lamp	1	
2	46705-14A00	Rubber	2	
3	34120-10A00	Rubber Ring	1	
4	44415-15A00	Bushing	2	
5	51511-14A00	Decorative Plate	1	
6	GB/T 16674 M6X25-A2-70-304	Flange Bolt	1	304 Stainless steel
7	46720-10A00	Mounting Plate, Lower	1	
8	GB/T 16674 M6X35-Zn.DJ	Bolt	1	
9	35210-15H20	Signal Lamp Assy, Front, Lh	2	ST50/125-6/6A
10	35310-15H20	Signal Lamp Assy, Front, Rh	2	
9.1	35211-Y1000	Bulb, Signal Lamp	4	
11	GB/T 97.1 10-Zn.DJ	Washer	4	
12	GB/T 6171 M10X1.25-Zn.DJ	Nut	4	
13	35710-Y1000	Tail Lamp Assy (Ellipse)	1	ST50/125-6/6A
13.1	35711-Y1000	Bulb, Tail Lamp	1	

14	GB/T 97.1 6-Zn.DJ	Washer	2	ST50/125-6B
15	GB/T 6170 M6-Zn.DJ	Nut	2	



1	35210-17H00	Signal Lamp Assy, Front, Lh	1	ST50/125-6B
2	35310-17H00	Signal Lamp Assy, Front, Rh	1	
3	35510-17H00	Signal Lamp Assy, Rear, Lh	1	
4	35410-17H00	Signal Lamp Assy, Rear, Rh	1	
4.1	35211-Y1000	Bulb, Signal Lamp	4	
5	35608-17H00	Rubber Ring	4	
6	35609-17H00	T-shape Bushing	4	
7	GB/T 16674 M6X25-Zn.DJ	Flange Bolt	4	
8	GB 6187.1 M6-Zn.DJ	Flange Nut	4	ST50/125-6B
9	35710-17H00	Tail Lamp Assy (Ellipse)	1	
9.1	35711-Y1000	Bulb, Tail Lamp	1	



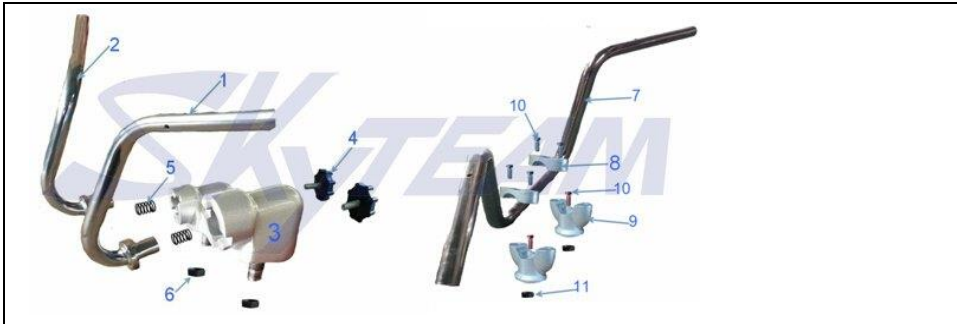
1	38110-Y1000	Side Reflector	2	ST50/125-6/6A
2	38160-Y1000	Rear Reflector	1	
3	GB/T 96 5-Zn.DJ	Washer	1	
4	GB/T 93 5-Zn.DJ	Spring Washer	1	
5	GB/T 6170 M5-Zn.DJ	Nut	1	
6-1	38162-17H00	Bracket, Rear Reflector	1	
6-2	38162-14A00		1	
7	47131-10H00	Screw	2	ST50/125-6/6A

手把开关: HANDLE SWITCHES



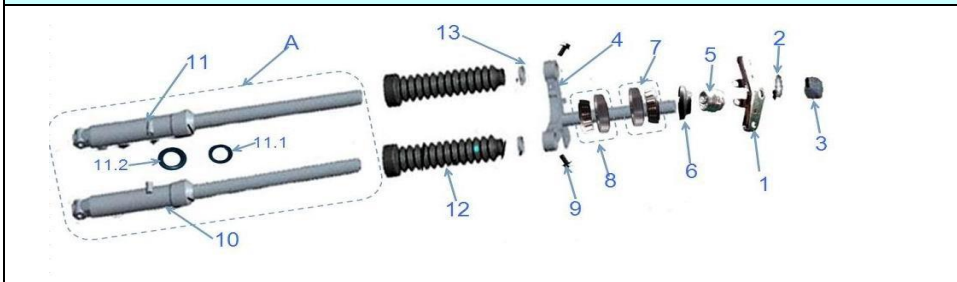
1	57600-15A10	Left Handle Switch	1	ST50/125-6/6B MANUAL
2	57600-15A10-0AD		1	
3	57600-15A10-010		1	ST50/125-6A SEMI-AUTO
4	57600-14A40		1	
5	57600-14A40-010		1	
1.1	57511-Z1000	Lever, Clutch (alloy)	1	ST50/125-6/6B
1.2	57511-Z1000-010	Lever, Clutch (black)	1	
1.3	57513-Z1000	Bolt, Clutch Lever	1	
A	57300-Z1010	Right Handle Switch Assy	1	ST50/125-6A
B	57300-Z1010-010		1	
6	57310-Z1010	Right Handle Switch	1	
7	57310-Z1010-010		1	
8	57320-Z1010	Grip, Throttle	1	ST50/125-6A
9	57210-Z1000	Grip, Lh	1	

方向把: HANDLE BAR

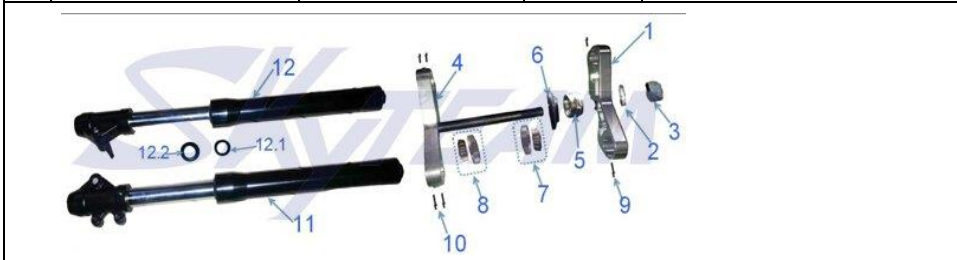


1	56110-15A00	Handlebar, Lh	1	
2	56120-15A00	Handlebar, Rh	1	
3	56140-15A00	Holder, Handle Bar	1	
4	56130-15A00	Lock, Handlebar	2	
5	56141-15A00	Spring	2	
6	GB/T 6187.2 M10X1.25-Zn.DJ	Flange Nut	2	
7	56110-16H20	Handlebar, Lh	1	ST50/125-6B
8	56221-Z1000	Lock, Handlebar	2	
9	56211-Z1000	Holder, Handle Bar	2	
10	GB/T 16674 M8X35-A2-70-304	Bolt	4	
11	56223-Z1000	Bolt	2	
12	GB/T 6187.2 M10X1.5-Zn.DJ	Flange Nut	2	

前叉: FRONT FORK



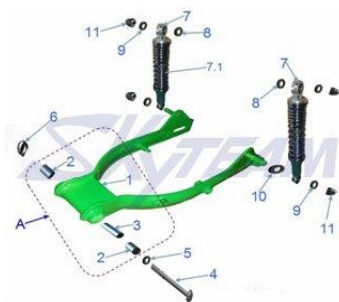
1	51310-14A00	Steering Head	1	
2	51612-Z1000-304	Washer	1	stainless steel
3	51633-Z1000	Steering Nut	1	
4	51410-14A10	Steering Stem	1	
5	51631-D0300	Steering Nut	1	
6	51643-D0300	Dust Seal	1	
7	51650-Z1000	Needle Bearing, Upper	1	
8	51660-Z1000	Needle Bearing, Lower	1	
9	GB/T 5789 M8x35-Zn.DJ	Flange Bolt	2	
A	51100-14A10	Front Shock Absorber Assy	1	
10	51150-14A10	Shock Absorber, Front, Lh	1	
11	51160-14A10	Shock Absorber, Front, Rh	1	
11,1	51170-16H00	Oil Seal	2	
11,2	51171-16H00	Seal Cap	2	
12	51159-17H00	Sheath, Shock Absorber	2	
13	51412-17H00	Clamp	2	



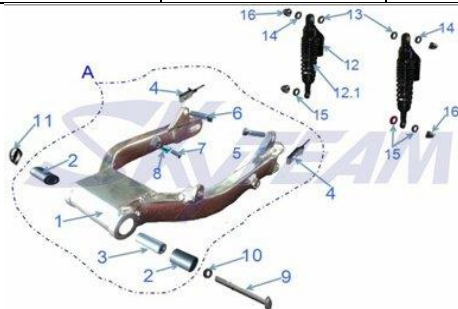
1	51310-17H10	Steering Head	1	
2	51612-Z1000-304	Washer	1	
3	51633-Z1000	Steering Nut	1	
4	51410-17H00	Steering Stem	1	
5	51631-D0300	Steering Nut	1	
6	51643-D0300	Dust Seal	1	

7	51650-Z1000	Needle Bearing, Upper	1	ST50-6B/ST125-6B
8	51660-Z1000	Needle Bearing, Lower	1	
9、10	GB/T 70.1 M6X30-Cr	Bolt	6	
11	52200-16H10	Shock Absorber, Front, Lh	1	
12	51160-17H00	Shock Absorber, Front, Rh	1	
12.1	51170-16H10	Oil Seal	2	
12.2	51171-16H10	Seal Cap	2	

后平叉 后减震: REAR SWING ARM & REAR SHOCK ABSORBER



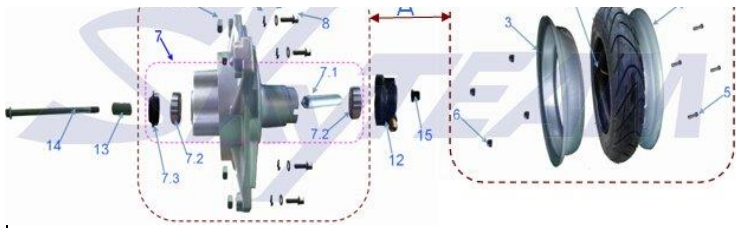
A	61000-14A00	Swing Arm Comp	1	include Bushing
1	61100-14A00	Swing Arm Comp	1	
2	61251-14A00	Bushing	2	
3	61276-14A00	Middle Bushing	1	
4	61211-14A00	Axle, Swing Arm	1	
5	GB/T 97.1 10-Zn.DJ	Washer	1	
6	GB/T 6187.2 M10X1.25-Zn.DJ	Flange Nut	1	
7	62100-14A10	Rear Shock Absorber Assy	2	
7.1	62170-14A10	Oil Seal	2	
8	GB/T 97 12-Zn.DJ	Washer	2	
9	GB/T 96 10-Zn.DJ	Washer	4	
10	61101-14A10	Spacer	1	
11	GB/T 923 M10X1.25-A2-70-304	Nut	4	stainless steel



A	61000-17H00	Aluminum Swing Arm Comp	1	ST50-6B/ST125-6B
1	61100-17H00	Aluminum Swing Arm	1	
2	51120-16H10	Bushing	2	
3	61276-17H00	Middle Bushing	1	
4	61411-16H00	Adjuster, Chain	2	
5	GB/T 5786 M10X1.25X45-Zn.DJ	Bolt	1	
6	61101-16H10	Bolt	1	
7	GB/T 5786 M10X1.25X25-9.8-Zn.DJ	Bolt	1	
8	Bushing	1	cannot supply separately
9	61211-14A10	Axle, Swing Arm	1	ST50-6B/ST125-6B
10	GB/T 97.1 10-Zn.DJ	Washer	1	
11	GB/T 6187.2 M10X1.25-Zn.DJ	Flange Nut	1	
12	62100-17H00	Rear Shock Absorber Assy	2	
12.1	62170-17H00	Oil Seal	2	
13	GB/T 97 12-Zn.DJ	Washer	2	
14	GB/T 96 10-Zn.DJ	Washer	2	
15	61101-14A10	Spacer	3	
16	GB/T 923 M10X1.25-A2-70-304	Nut	4	Stainless steel

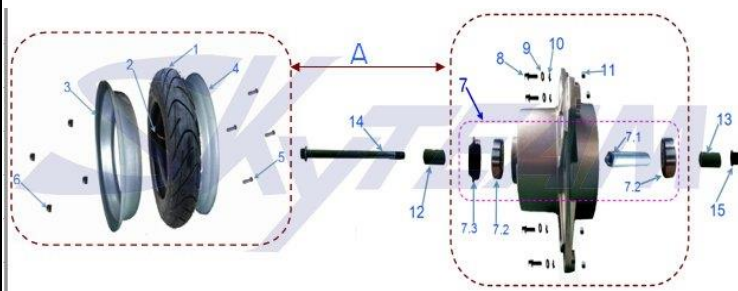
前轮: FRONT WHEEL





A	55000-14A10	Front Wheel Assy	1	ST50/125/6/6A
	55000-14A20		1	ST50/125*-6B
1	55100-14A00	Tire	1	ST50/125/6/6A
	55100-14A20		1	ST50/125*-6B
2	55200-14A00	Tube, Inner	1	ST50/125/6/6A
	55200-14A20		1	ST50/125*-6B
3	54142-Z1000	Rim, Lh(3.5-10) (Color)	1	ST50/125/6/6A
	54141-17H00		1	ST50/125*-6B
4	54141-Z1000	Rim, Rh(3.5-10) (Color)	1	ST50/125/6/6A
	54142-17H00		1	ST50/125*-6B
5	GB/T 16674 M6X12-Zn.DJ	Flange Bolt	4	ST50/125/6/6A
	GB/T 16674 M6X16-Zn.	Flange Bolt	12	ST50/125*-6B
6	GB/T 6187.1 M6-Zn.DJ	Flange Nut	4	ST50/125/6/6A
			12	ST50/125*-6B
7	54100-Z1000	Hub, Front Wheel	1	
7.1	54123-Z1000	Bushing	1	
7.2	GB/T 276 6301Z	Bearing	2	
7.3	09284-Z1000	Dust Seal	1	
8	GB/T 5783 M8X25-8.8-Zn.DJ	Bolt	4	
9	GB/T 97.1 8-Zn.DJ	Washer	4	
10	GB/T 859 8-Zn.DJ	Spring Washer	4	
11	210221-Z1000	Nut	4	
12	54600-Z1000	Gear Box Assy,Speedometer	1	ST50/125/6/6A
	54600-17H00		1	ST50/125*-6B
13	54121-Z1000	Bush, Front Wheel, L	1	ST50/125/6/6A
	55331-16H10		1	ST50/125*-6B
14	54711-Z1000	Axle, Front Wheel(Used In Rear Wheel)	1	ST50/125/6/6A
	64711-Z1000		1	ST50/125*-6B
15	GB/T 6187.2 M12X1.25-Zn.DJ	Flange Nut	1	

后轮: REAR WHEEL



A	65000-14A10	Rear Wheel Assy(Color)	1	ST50/125/6/6A
	65000-14A20		1	ST50/125*-6B
1	55100-14A00	Tire	1	ST50/125/6/6A
	55100-14A20		1	ST50/125*-6B
2	55200-14A00	Tube, Inner	1	ST50/125/6/6A
	55200-14A20		1	ST50/125*-6B
3	54142-Z1000	Rim, Lh(3.5-10) (Color)	1	ST50/125/6/6A
	54142-17H00		1	ST50/125*-6B
4	54141-Z1000	Rim, Rh(3.5-10) (Color)	1	ST50/125/6/6A
	54141-17H00		1	ST50/125*-6B
5	GB/T 16674 M6X12-Zn.DJ	Flange Bolt	4	ST50/125/6/6A
	GB/T 16674 M6X16-Zn.DJ		12	ST50/125*-6B
6	GB/T 6187.1 M6-Zn.DJ	Flange Nut	4	ST50/125/6/6A
			12	ST50/125*-6B
7	65300-Z1010	Hub, Rear Wheel	1	
7.1	210207-Z1000	Middle Bushing	1	
7.2	GB/T 276 6301Z	Bearing	2	
7.3	210213-Z1000	Dust Seal, Left	1	

8	GB/T 5783 M8X25-8.8-Zn.DJ	Bolt	4	
9	GB/T 97.1 8-Zn.DJ	Washer	4	
10	GB/T 859 8-Zn.DJ	Spring Washer	4	
11	210221-Z1000	Nut	4	
12	64121-14A00	Bush, Rear Wheel, L	1	
13	64122-14A00	Bush, Rear Wheel, R	1	
14	64711-14A00	Axle, Rear Wheel	1	
15	GB/T 6187.2 M12X1.25-Zn.DJ	Flange Nut	1	

传动部分: THE TRANSMISSION PARTS



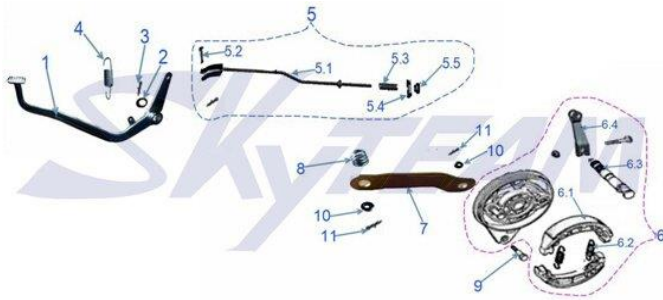
1	420MH-88	Chain	1	ST50-6
	420MH-84		1	ST125-6/6A
	420MH-90		1	ST50-6B
	420MH-86		1	ST125-6B
2	64511-10A00	Rear Sprocket	1	ST50-6/6A/6B
	64511-18H10		1	ST125-6/6A/6B
3	64512-18H00	Lock Plate, Sprocket	2	
4	GB/T 5786 M10X1.25X25-9.8-Zn.DJ	Bolt	4	
5	61411-14A00	Adjuster, Chain	2	
6	61310-14A10	Chain Case	1	ST50/125-6/6A
	61310-14A20		1	ST50/125-6B
7	53111-15A00	Cushion	1	
8	GB/T 96 6-Zn.DJ	Washer	1	
9	GB/T 16674 M6X16-Zn.DJ	Bolt	1	

前制动系统: FRONT BRAKE SYSTEM



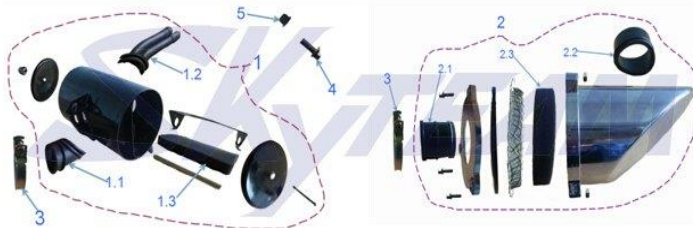
A	59000-21G00	Front Disc Brake Assy	1	ST50/125-6/6A
	59000-16H10		1	ST50/125-6B
1	59008-21G00	Master Cylinder, Front Brake	1	ST50/125-6/6A
	59008-16H10		1	ST50/125-6B
1.1	59286-Z1000	Front Brake Lever	1	old edition
	59286-21G00	Front Brake Lever	1	new edition
1.2	59285-Z1000	Brake Switch, Front	1	old edition
	59285-21G00	Brake Switch, Front	1	new edition
2	59287-14A00	Front Brake Hose	1	ST50/125-6/6A
	59287-16H10		1	ST50/125-6B
3	59007-Z1000	Caliper, Front Brake	1	ST50/125-6/6A
	59007-16H10		1	ST50/125-6B
3.1	59312-Z1000	Front Brake Pad	1	ST50/125-6/6A
	59312-16H10		1	ST50/125-6B
4	59489-Z1000	Clamp, Brake Hose	1	
5	59242-Z1000	Clamp, Brake Hose	1	
6	59414-Z1000	Front Brake Disc	1	ST50/125-6/6A
	59411-17H00		1	ST50/125-6B
7	58412-Z1000	Bolt	3	
8	GB/T 16674 M6X12-Zn.DJ	Flange Bolt	1	
9	GB/T 16674 M8X32-9.8-Zn.DJ	Flange Bolt	2	

后制动系统: REAR BRAKE SYSTEM



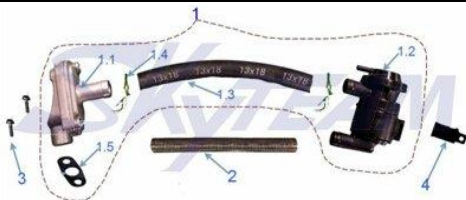
1	43110-14A00	Brake Rod Assy	1	
2	GB/T 97.1 16-Zn.DJ	Washer	1	
3	GB/T 91 3.2X25-Zn.DJ	Cotter Pin	1	
4	43211-14A00	Return Spring, Rear Brake	1	
5	43300-14A00	Brake Rod Assy (Color)	1	ST50/125-6/6A
	43300-17H00		1	ST50/125-6B
5,1	43311-14A00	Brake Rod (Color)	1	cannot supply separately
5,2	43312-Z1000	Pin	1	cannot supply separately
5,3	210401-Z1000	Spring	1	cannot supply separately
5,4	43313-Z1000	Pin	1	cannot supply separately
5,5	43314-Z1000	Nut	1	cannot supply separately
6	64200-14A00	Panel Comp, Rear Hub	1	
6,1	64202-Z1000	Rear Brake Shoe	2	
6,2	64203-Z1000	Spring	2	cannot supply separately
6,3	64204-Z1000	Cam, Rear Brake	1	
6,4	64205-14A00	Lever, Rear Brake Cam	1	
7	64311-21G00	Linking Plate	1	cannot supply separately
8	64312-14A00	Spring	1	
9	65311-14A00	Bolt	1	
10	GB/T 6170 M8-Zn.DJ	Nut	2	
11	GB/T 91 2X20-Zn.DJ	Cotter Pin	2	

空滤: AIR FILTER



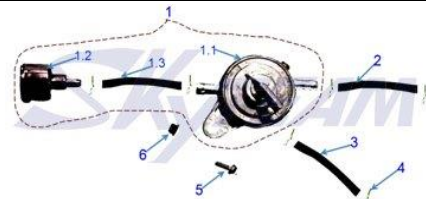
1	13700-14A00	Air Cleaner Assy	1	ST50-6/6B
2	13700-16H10			ST125-6/6A/6B
1,1		Outlet Tube, Air Cleaner	1	ST50-6/6B
2,1	13723-16H10			ST125-6/6A/6B
1,2		Inlet Tube, Air Cleaner	1	ST50-6/6B
2,2	13727-16H10			ST125-6/6A/6B
1,3	13714-14A00	Element, Air Cleaner	1	ST50-6/6B
2,3	13725-16H10			ST125-6/6A/6B
3	13721-14A00	Clip	1	50/125
4	GB/T 16674 M6X12-Zn.DJ	Flange Bolt	1	ST50-6/6B
5	GB/T 6187.1 M6-Zn.DJ	Flange Nut	1	

二次补气系统: SECOND AIR-IN SYSTEM

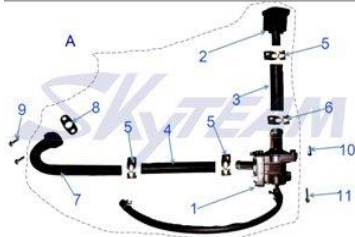


1	13790-14A00	Secondary Air System	1	
1,1	13720-Z1000	Control Valve	1	
1,2	13710-Z1000	Small Air Filter	1	
1,3	G1000-1318G	Outlet Hose, Second Air System	1	

1,4	GJD00-1715C	Clip	2	ST50-6/6B
1,5	13740-Z1000	Graphite Gasket	1	
2	13732-14A00	Protective Spring	1	
3	GB/T 16674 M6X16-Zn.DJ	Flange Bolt	2	
4	13791-14A00	Holder, Small Air Filter	1	

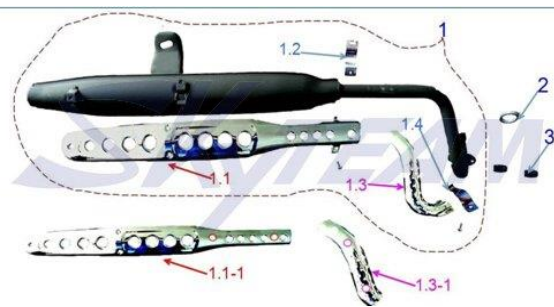


1	13800-17H00	Secondary Air System	1	ST125-6/6B
1,1	13820-18H00	Control Valve	1	
1,2	13810-18H00	Filter	1	
1,3	G1000-4080P	Intake Manifold	1	
2	G1000-4080P	Blowdown Pipe	1	
3	G1000-4080P	Vacuum Pipe	1	
4	GJD00-8010C	Clip	6	
5	GB/T 5787 M6X16-Zn.DJ	Flange Bolt	1	
6	GB/T 6187.1 M6-Zn.DJ	Flange Nut	1	



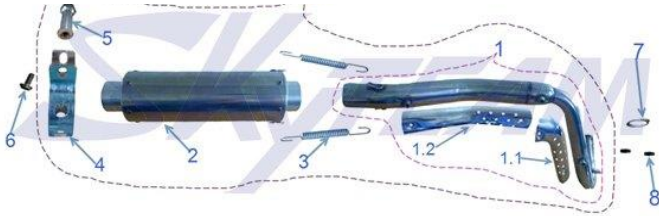
A	13800-17H20	Secondary Air System	1	ST125-6A SEMI-AUTO
1	18400-21H00	Valve, Second Air System	1	
2	13810-18H00	Small Air Filter	1	
3	G1000-1016G	Inlet Hose, Second Air System	1	
4	G1000-1016G	Outlet Hose, Second Air System	1	
5	GJB00-1615C	Clip	4	
6				
7	13770-22H00	Steel Tube	1	
8	13740-Z1000	Graphite Gasket	1	
9	GB/T 16674 M6X16-Zn.DJ	Hexagon Flange Bolt	2	
10	13792-17H00	Spacer	1	
11	GB/T 70.1 M6X50-Zn.DJ	Bolt	1	

消音器: MUFFLER



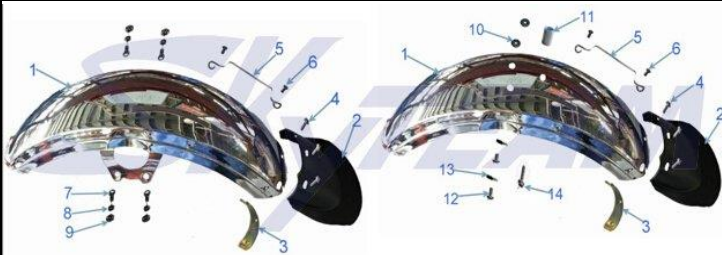
1	14300-14A00	Muffler Comp(Color)	1	ST50-6
	14300-17H10		1	ST125-6/6A
1,1	14321-14A00	Cover, Muffler	1	before 2014-06
1,1-1	14321-14A10		1	after 2014-06, with new mounting system and less mounting brackets
1,2	14322-14A00	Clip	1	for old edition
1,3	14311-14A00	Cover, EXhaust Pipe	1	before2014-06
1,3-1	14311-14A10		1	after 2014-06
1,4	14312-14A00	Clamp	2	for old edition, cannot supply separately
2	14360-Z1000	Gasket, EXhaust Pipe	1	
3	GB/T 6177 M6-A2-70-304	Nut	2	



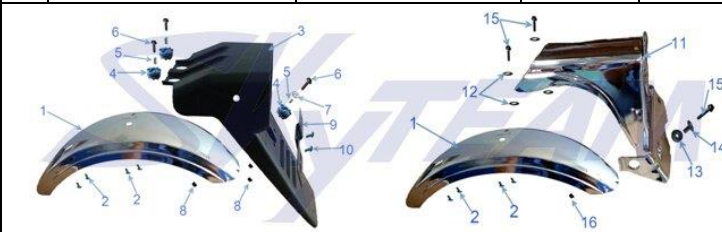


A	14300-14A30	Muffler Comp	1	ST50-6B
	14300-17H40		1	ST125-6B
1	14310-14A30	EXhaust Pipe	1	ST50-6B
	14310-17H40		1	ST125-6B
1.1+1.2	14330-17H40	Cover, EXhaust Pipe	1	ST50/125-6B
1,1	14331-17H40	Cover I, EXhaust Pipe	1	
1,2	14332-17H40	Cover I, EXhaust Pipe	1	
2	14320-17H50	Muffler Body	1	ST50-6B
	14320-16H10		1	ST125-6B
3	14302-16H10	Spring	2	ST50/125-6B
4	14301-16H10	Clip	1	
5	14321-16H00	Spacer	1	
6	GB/T 16674 M8X20-Zn.DJ	Flange Bolt	1	
7	14360-Z1000	Gasket, EXhaust Pipe	1	
8	GB/T 6177 M6-A2-70-304	Nut	2	

前后泥板: FRONT&REAR FENDER



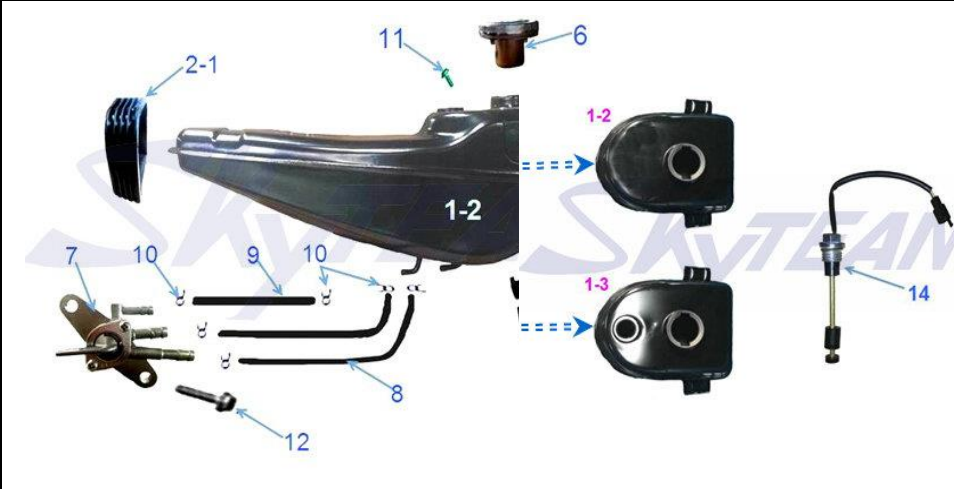
1	53110-14A00	Front Fender (Cr)	1	ST50/125-6/6A
1-1	53110-17H00		1	ST50/125-6B
2	53121-14A00	Rear Part, Front Fender	1	
3	53122-14A00	Underboarding	1	
4	GB/T 16674 M6X10-Zn.DJ	Flange Bolt	3	
5	53131-14A00	Cable Clamp	1	ST50/125-6/6A
6	GB/T 820 M5X10-Zn.DJ	Flange Bolt	2	
7	GB 5783 M6X12-Zn.DJ	Bolt	4	
8	GB 97.1 6-140HV-Zn.DJ	Washer	4	
9	GB/T 859 6-Zn.DJ	Spring Washer	4	
10	53111-15A00	Rubber Ring	2	
11	46125-Y1000	Spacer	1	
12	GB/T 16674 M6X16-Zn.DJ	Flange Bolt	2	
13	GB/T 96 6-Zn.DJ	Washer	2	
14	GB/T 16674 M6X25-Zn.DJ	Flange Bolt	1	



1	63110-14A00	Rear Fender	1	ST50/125-6/6A
2	GB/T 16674 M6X12-Zn.DJ	Flange Bolt	4	
3	63112-14A00	Rear Part, Rear Fender	1	
4	34120-10A00	Rubber Ring	3	
5	44415-15A00	Bushing	3	
6	GB/T 16674 M6X25-Zn.DJ	Bolt	3	
7	GB/T 96 6-Zn.DJ	Washer	1	
8	GB/T 6187.1 M6-Zn.DJ	Flange Nut	3	
9	45530-Y1000	Bracket, Licence Plate	1	

10	GB/T 16674 M6X16-Zn.DJ	Flange Bolt	2	ST50/125-6B
11	63112-14A10	Rear Part, Rear Fender	1	
12	35122-14A00	Rubber Ring	4	
13	46123-Z1000	Rubber Ring	1	
14	46124-Z1000	Spacer	1	
15	GB/T 16674 M6X25-Zn.DJ	Bolt	3	
16	GB/T 6187.1 M6-Zn.DJ	Flange Nut	1	

油箱:FUEL TANK



1-2	44110-14A20	5.5L Fuel Tank Comp	1	
1-3	44110-17H00	5.5L Fuel Tank Comp	1	with fuel tank hole
2-1	44131-14A10	Rubber Ring, Front	1	
3-1	44132-14A10	Rubber Ring, Lower	2	
4	44120-14A00	Set, Fuel Tank Cover	1	
5	36622-14A00	Rubber	1	
6	44222-14A00	Fuel Tank Cap	1	
7	44300-Z1000	Fuel Cock	1	
8	G1000-4080P-470	Hose 1	2	
9	G1000-4080P-20	Hose 2	1	
10	GJD00-8010C	Clip	6	
11	GB/T 16674 M6X12-Zn.DJ	Bolt	2	
12	GB/T 16674 M6X35-Zn.DJ	Hexagon Flange Bolt	1	ST50-6/6B
	GB/T 16674 M6X20-Zn.DJ	Hexagon Flange Bolt	1	ST125-6/6A/6B
13	GB/T 6177 M6-Zn.DJ	hexagon flange nuts	1	
14	34810-21G00	Fuel Level Gauge	1	fits 5.5L fuel tank

座垫:SEAT



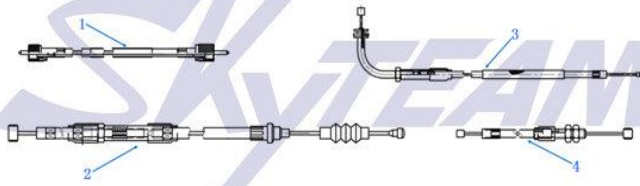
1	45100-17H00	Seat Assy (Color)	1	
2	37611-14A00	Rubber Ring	1	
3	47411-14A00	Tool Holder	1	
4	13702-14A00	Band, Tool Kits	1	
5	GB/T 16674 M6X20-Zn.DJ	Bolt	1	
6	GB/T 16674 M8X16-Zn.DJ	Flange Bolt	2	

后货架:REAR CARRIER



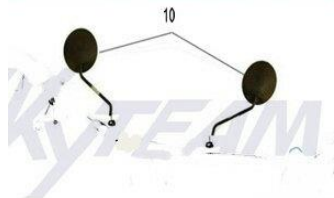
1	46110-14A10	Rear Carrier	1	chrome
	46110-14A10-000		1	black
1-1	46110-14A20	Rear Carrier	1	chrome
	46110-14A20-000		1	black
2	GB/T 16674 M8X95-Zn.DJ	Flange Bolt	2	

操纵线: HANDLE SWITCH



1	58200-14A00	Cable, Speedometer	1	
2	58400-14A00	Clutch Cable Assy	1	ST50-6(B)/ ST125-6(B) engine with rotary gear
	58400-17H00		1	ST125-6
	58400-17H10		1	ST125-6B
3	58300-17H00	Throttle Cable	1	ST50/125-6
	58300-17H10		1	ST50/125-6B
4	58500-14A00	Choke Cable Assy	1	ST50-6
	58500-14A10		1	ST50-6B

后视镜: HANDLE SWITCH



1	56500/56600-14A00	Rearview Mirror Assy	1	pair
---	-------------------	----------------------	---	------

贴花: STICKERS



1	89012-14A00	Fuel Tank Tape	2	for 2.4L,4.4L
2	89012-14A20	Emblem	2	for 5.5L
3	89012-17H00		2	ST50/125-6B
4	89081-14A10		2	for 5.5L
5	89011-14A00	Model Decals	1	50cc
6	89011-17H00		1	125cc
7	89085-14A00	Fuel Tank Tape	2	for 5.5L

REMARK: THE PARTS MARKED IN RED ARE THE ONES WE CANNOT SUPPLY SEPARATELY.

THANKS FOR UNDERSTANDING!